

SJT-WCR2

V1.1

1

.....

1

1.1 SJT-WCR2

1.1.1

MCU

CAN

1.1.2

1.1.3

DC24V/400mA \pm 20%

1.1.4

-20 --70
<95%

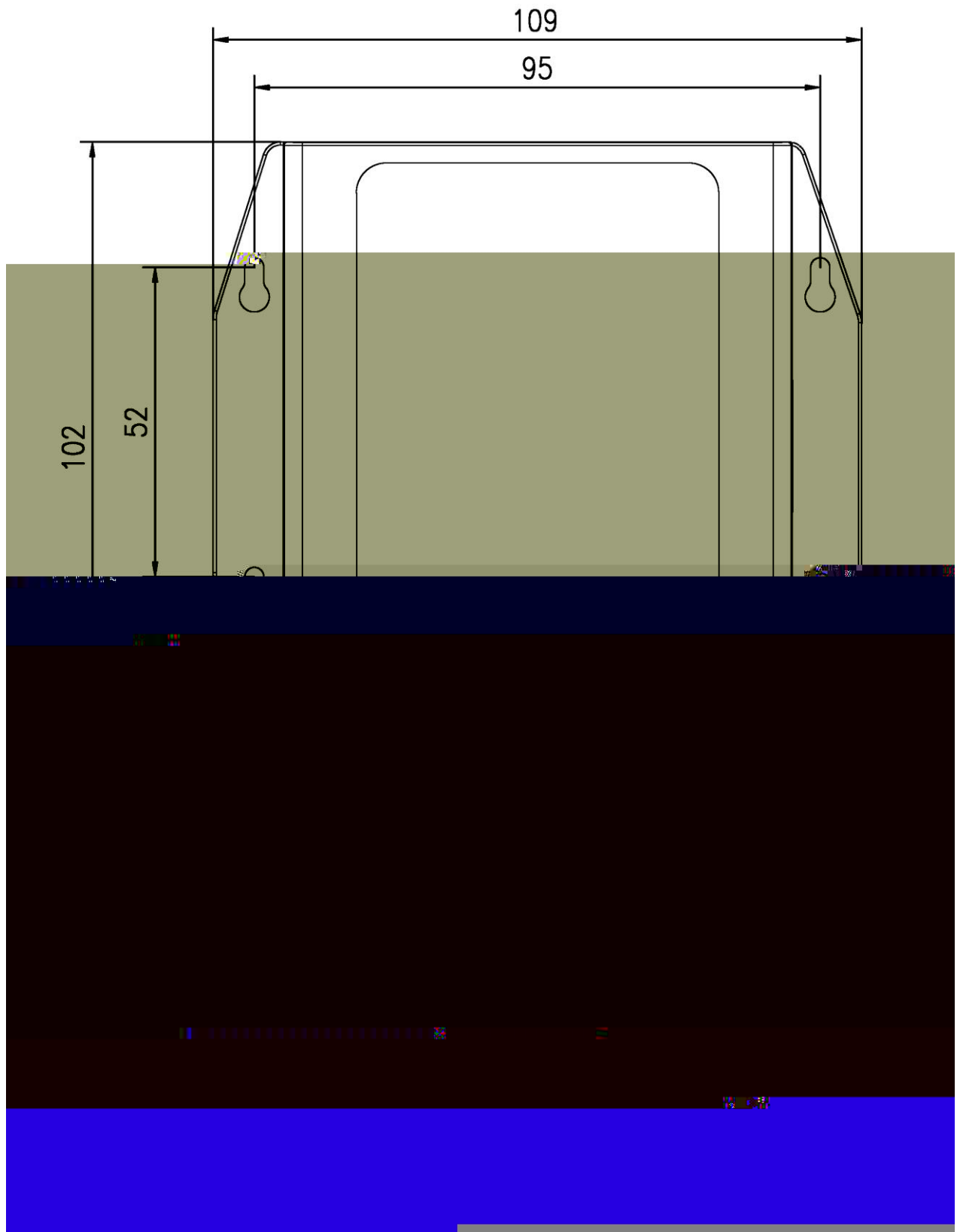
1.2

109*102*30 mm



1.1

SJT-WCR2



1.2

SJT-WCR2

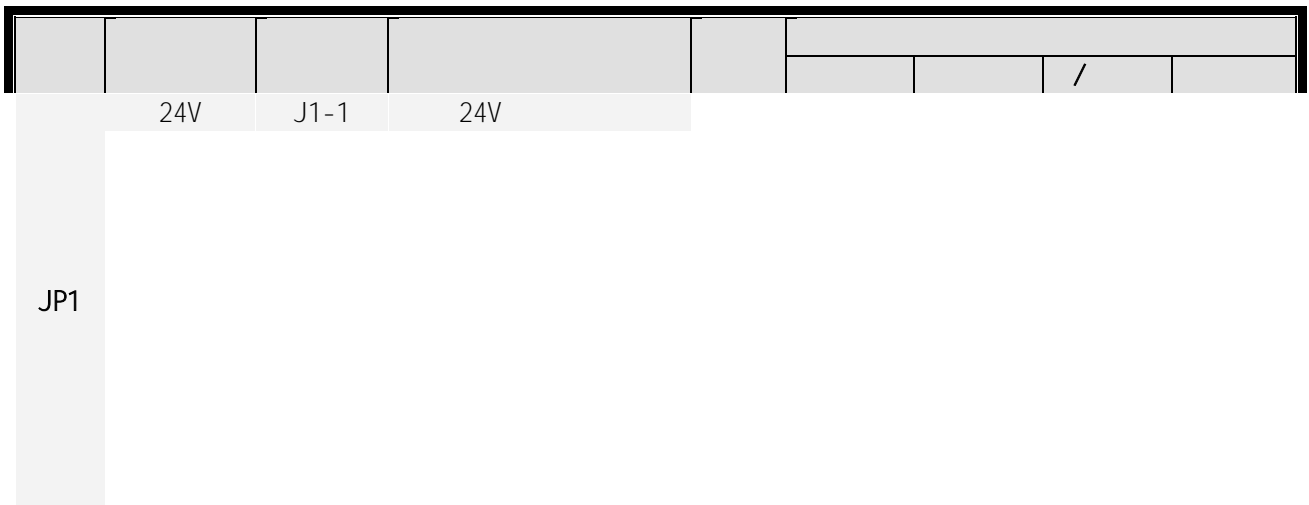
mm

2

2.1

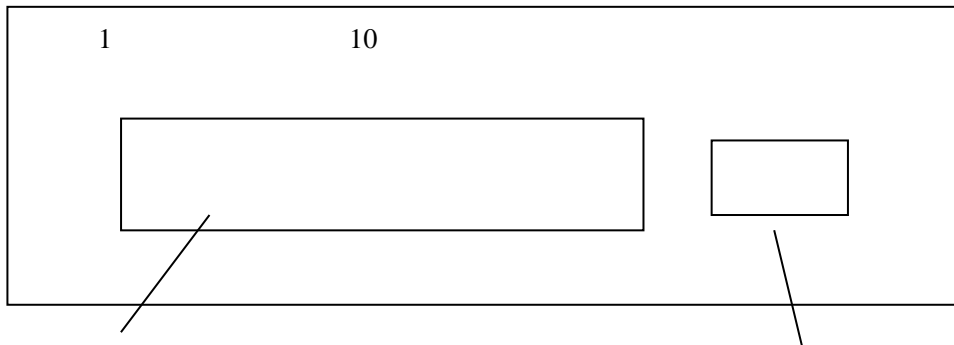
2.1

2.1

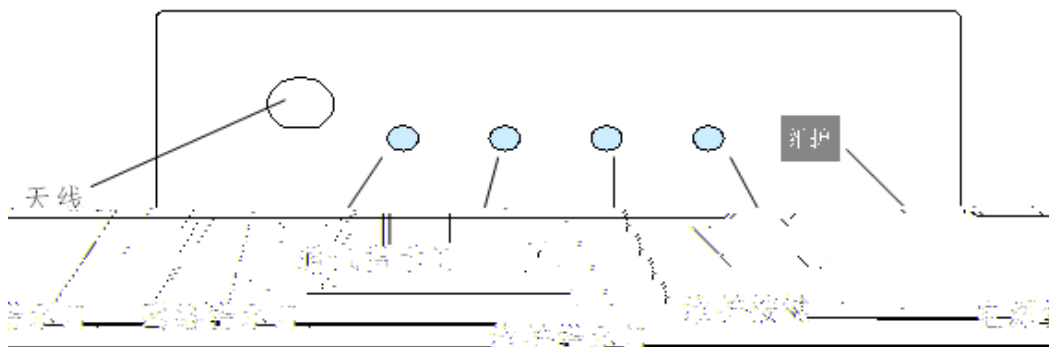


2.3

2.3.1



2.2 SJT-WCR2



2.3 SJT-WCR2

	GSM		
GSM	0.1	0.8	GSM
			SIM
	0.1	3	GSM

0

1
2

2.3.2

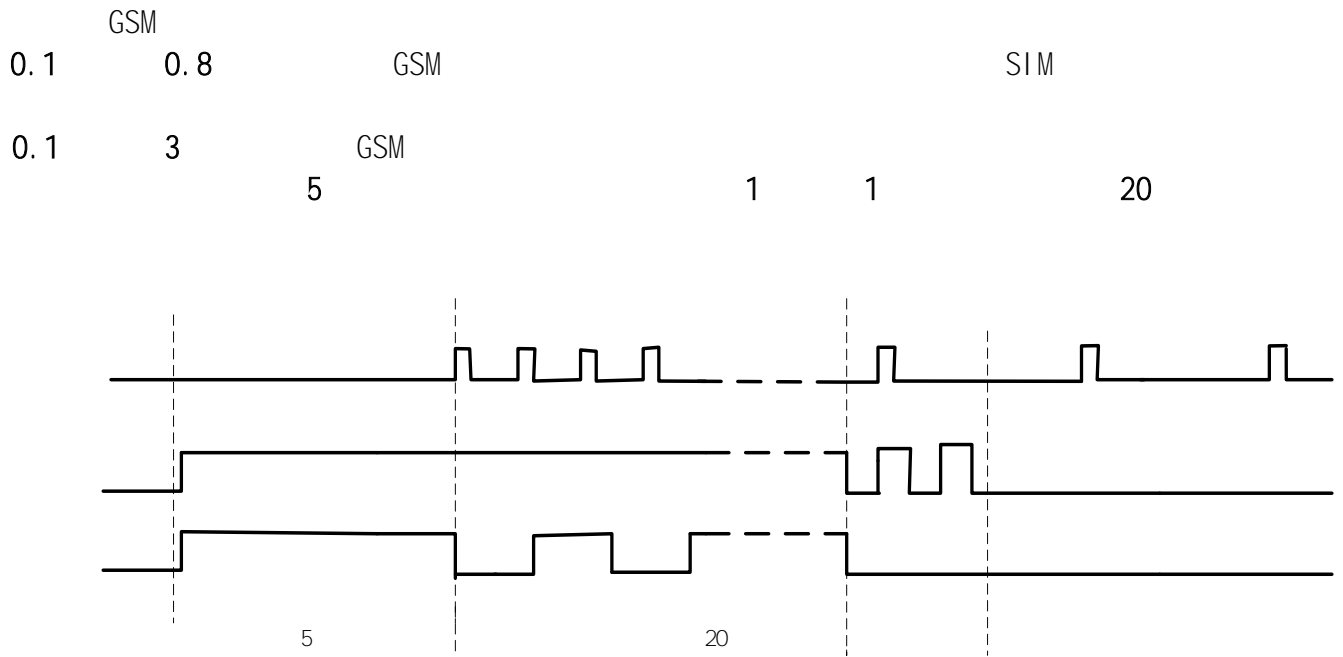
1

2

JP1

500mA

3



2.4

4 SIM PIN SIM PIN SIM PIN SIM PIN SIM PIN



5

(2016)

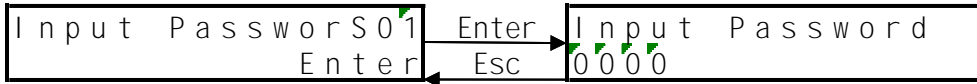


" Password Error"

Yes

" Enter"

(2016)



" Password Error"

Yes

" Enter"

IMSI

IMSI

IMSI

Esc menu

6 CAN

LED

CAN

1 GSM 800/900/1800/1900Mhz /

2

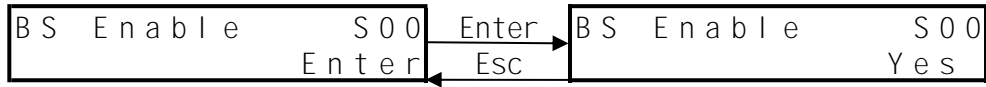
3

4

3.2

" Enter"

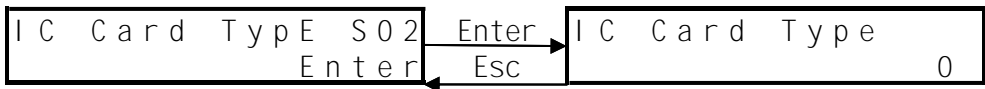
3.2.1



3.2.2

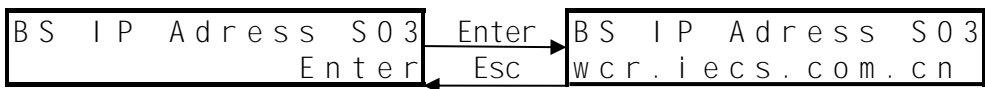


3.2.3 IC



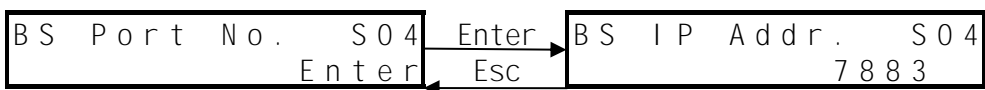
0 WCR

3.2.4 IP



IP

3.2.5



3.2.6 APN



APN " " " " APN

" . "

3.2.7 BS



BS

IMSI

3.2.8



" Enter"

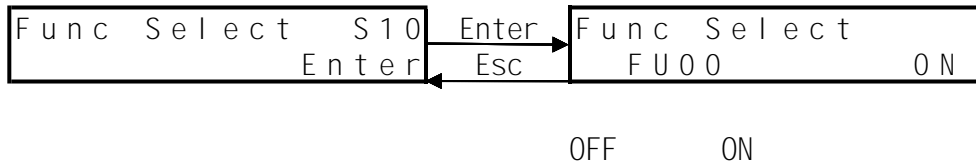
3.2.9



3.2.10



3.2.11

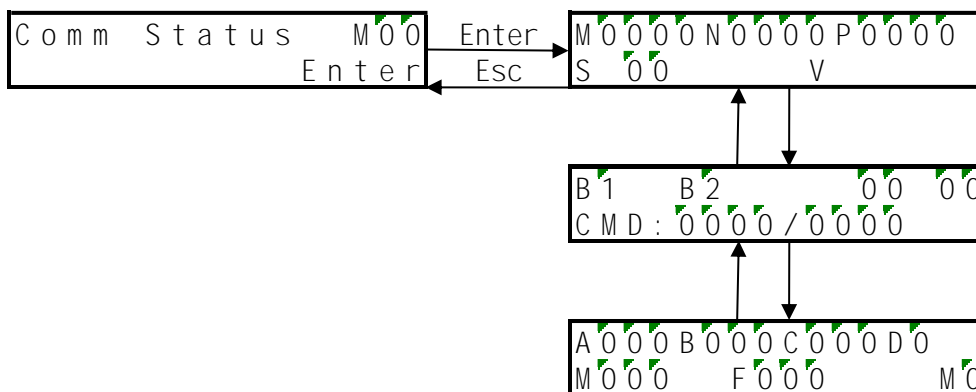


3.2.12



3.3

3.3.1



" Enter"

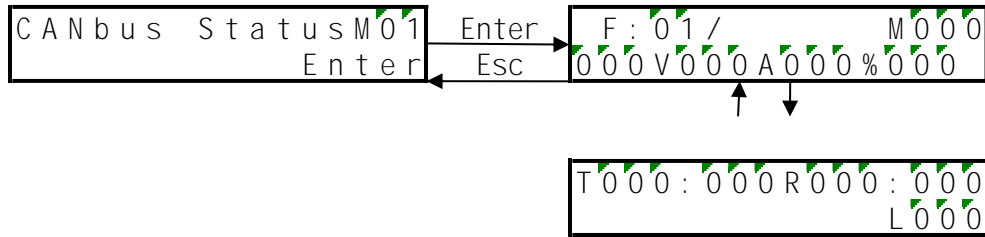
1	M, N, P	M	N	P
2	S	00		V
	201_10			

" "

1	B1	-	-	-
	B2()			
2	CMD			

" "

3.3.2



F
 CAN
 M000 CAN (200)
 000V / 000A 000% 000

3.3.3 SIM IMSI



" "
 16 IMSI 14
 IMSI

3.3.4

607_13



3.3.5



0014h 16